



2080 Wheel loaders

Technical Data

■ Standard engine data

Engine manufacturer	Deutz
Type of drive	TD 2.9 L4 S5
Cylinders	4
Drive output	45 kW
Drive output	61 PS
at max. rpm	2,300 U/min
Displacement	2,900 cm ³
Type of coolant	Water
Exhaust standard level	V
Exhaust after-treatment	DOC/DPF

■ Engine data Option 1

Engine manufacturer	Deutz
Type of drive	TCD 2.9 L4 S5
Cylinders	4
Drive output	55.4 kW
Drive output	75 PS
at max. rpm	2,300 U/min
Displacement	2,900 cm ³
Type of coolant	Water/charge air
Exhaust standard level	V
Exhaust after-treatment	DOC/DPF

■ Electrical system

Operating voltage	12 V
Battery	100 Ah
Alternator	95 A

■ Weights

Operating weight	4,300 kg
Tipping load with bucket – machine straight, loading frame horizontal	3,719 kg
Tipping load with bucket – machine pivoted, loading frame horizontal	3,113 kg

Tipping load with pallet fork – machine straight, loading frame horizontal	3,170 kg
Tipping load with pallet fork – machine pivoted, loading frame horizontal	2,662 kg

■ Driver's cab

Driver's cab	Cab
--------------	-----

■ Filling levels

Tank capacity for fuel	65 l
Tank capacity for hydraulic oil	50 l

■ Drive system

Type of drive	Hydrostatic
drive unit	universal joint shaft
Travel speeds increase/reduction	2
axle	PA 1200
Travel speed Standard	0-20 km/h
Travel speed Option 1	0-28 km/h
Operating brake	Hydrostatic drive system acting on all 4 wheels (wear-free)
Parking brake	Service and parking brake in the drive train acts on all 4 wheels
Differential lock	100 % front axle + rear axle

■ Hydraulic system

Drive hydraulics working pressure (max.)	450 bar
Work hydraulics discharge volume (max.)	57,5 (74-115) l/min
Work hydraulics working pressure (max.)	210 bar

■ Kinematics

Kinematics type	PZ
Lifting cylinder	2
Tipping cylinder	1
Quick change system	hydraulic

■ Steering

Steering type	hydraulically activated articulated pendulum steering
---------------	---

Steering cylinder	1
Oscillating angle	±12 degree

■ Noise characteristic values

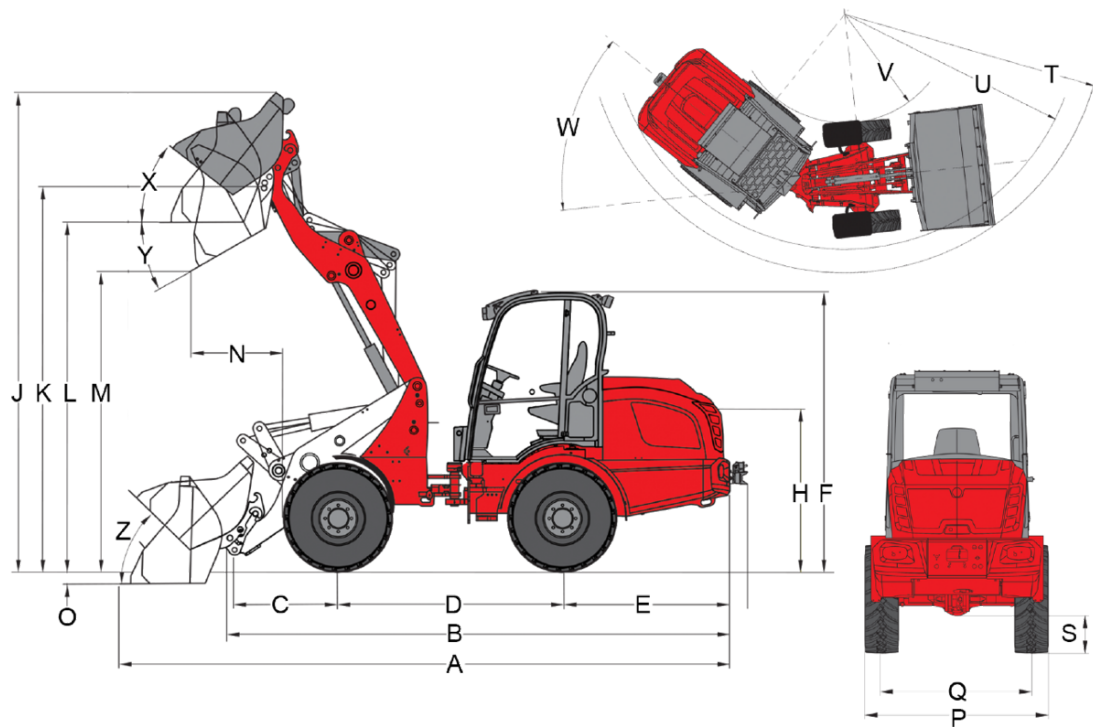
Average sound power level LwA	100.5 dB(A)
Guaranteed sound power level LwA	101 dB(A)

Specified sound pressure level LpA 78 dB(A)

■ Other information

FSD = operator's canopy
DPF = diesel particulate filter
DOC = diesel oxidation catalyst
SCR = selective catalytic reduction
Tipping load calculation pursuant to ISO 14397

Dimensions



PZ-kinematics (Standard)

		11.5/80 - 15.3 AS ET40
A	Total length	5,160 mm
B	Total length without bucket	4,190 mm
C	Bucket pivot point (to center of axle)	680 mm
D	Wheel base	2,050 mm
E	Rear overhang	1,420 mm
F	Height with operator's canopy (fixed)	
	Height with fold-down operator's canopy (EPS)	
	Height with fold-down operator's canopy (EPS), folded down	
	Height with lowerable operator's canopy (EPS Plus), lowered	
	Height with lowerable operator's canopy (EPS Plus)	
	Height with lowered operator's canopy	
	Height with operator's canopy raised	
	Height with cab lowered	2,360 mm
	Height with cab raised	2,540 mm
	Height with cab	
H	Seat height	1,430 mm
J	Total working height	4,020 mm
K	Bucket pivot point (max. lift height)	3,240 mm
L	Load-over height	2,950 mm
M	Dumping height	2,320 mm
N	Reach (at M)	280 mm
O	Digging depth	70 mm
P	Total width	1,410 mm
Q	Track width	1,120 mm
S	Ground clearance	300 mm
T	Maximum radius	3,650 mm
U	Radius on the outer edge	3,320 mm
V	Inner radius	1,730 mm
W	Articulation angle	45 °
X	Rollback angle at max. lift height	49 °
Y	Dumping angle	44 °
Z	Rollback angle on ground	43 °

The illustrations, equipment and data shown may deviate from the current delivery program of your country. Optional equipment subject to additional charge may be shown. Subject to changes.

Engine

- Deutz TD 2.9 L4 S5, 45 kW / 61 hp, stage V

Tires

- 11.5/80-15.3 AS ET40, profile AS, width 1410 mm

Steering system

- Hydraulic articulated pendulum steering, pendulum angle $\pm 12^\circ$
- Steering cylinder: 1

Drive system

- Hydrostatic all-wheel drive, driving direction selectable via joystick
- Service brake: Hydrostatic drive acting on all 4 wheels (wear-free)
- Central service and parking brake in drive train acting on all 4 wheels
- Differential lock 100 %, electric-hydraulic switchable on front and rear axle

Hydraulics

- 3rd Front control circuit electrically proportional parallel via joystick, incl. double detent; hydraulic oil cooler
- Float position for lift cylinder

Operator's cab

- Comfort cab with heating and ventilation, laterally tiltable, ROPS / FOPS tested
- Comfort seat with seat belt full suspension, weight, back and longitudinal adjustment
- Hydraulically pre-controlled joystick with direction switch and integrated push button for differential lock
- Worklights 2 front and 2 rear
- Operating hours meter
- Fuel gauge
- Adjustable steering wheel

Other

- Tool box in the rear of the vehicle
- Lighting system according to StVZO
- Bucket level indicator
- Self-recovery coupling

Quick change plates

- Weidemann hydraulic

EquipCare (telematics)

- EquipCare 36 months (incl. App & Manager)

Trailer and recovery equipment

- Self-recovery coupling (Not approved for trailer operation!)

Operator's cab

- Comfort cab 2-doors high
- Storage box with bottle holder (left of driver's seat)
- Radio preparation (antenna, loudspeaker)
- Radio preparation DAB+ (antenna, loudspeaker)
- Radio DAB + complete
- Air conditioning system
- Cabin socket 230 V (connection power max. 2000 W), (function only with engine preheating connected to 230V mains)

Operator's seat

- Fabric seat; heated seats (MSG 85)
- Fabric seat; air suspension (MSG 95AL/722)
- Fabric seat; air suspension; heated seats (MSG 95AL/732)

Lighting

- LED work lights, 2 in front, 2 in rear
- Rotating beacon (yellow) (National regulations must be observed!)

StVZO – equipment

- Individual operating permit > 25 km/h
- Individual operating permit > 25 km/h
- Registration plate mounting

Engine

- Deutz TCD 2.9 L4 S5, 55,4 kW / 75 hp, stage V
- Hand throttle
- Engine preheating (cooling water) + hydraulic oil preheating 230 V

Drive system & Axles

- 28 km/h (Speed increase)
- Hand inching (low-speed control)

Tires

- 15.0/55-17 AS ET0, profile AS, width 1600 mm
- 15.0/55-17 AS ET-40, profile AS, width 1660 mm
- 425/55 R 17 AS ET-40 Alliance 570, profile AS, width 1700 mm
- 31x15.50-15 EM ET-37, profile EM, width 1680 mm
- 12-16.5 EM ET0, profile EM, width 1500 mm
- 12-16.5 EM ET45, profile EM, width 1415 mm
- 15.5/55 R 18 EM ET0, profile EM, width 1570 mm
- 33x15.50-15 RP ET-37, profile RP, width 1680 mm
- 12-16.5 Sure Trax ET0 BKT, profile SureTrax, width 1530 mm

Water filling

- Water filling valves without filling (front wheels)
- Water filling valves without filling (rear wheels)
- Water filling valves without filling (front and rear wheels)
- Water filling valves with filling (front wheels)
- Water filling valves with filling (rear wheels)
- Water filling valves with filling (front and rear wheels)

Loading system

- Loading swing arm damping
- Lowering brake valve (hose burst valves for lift and tipping cylinders)

Quick change plates

- Euro hydraulic
- SkidSteer hydraulic
- SMS hydraulic
- Kramer hydraulic

Hydraulics in front

- Front pressureless return (incl. leakage oil line)
- Working hydraulics (74 l/min) Large pump

- High Flow - Power hydraulics single-acting (115 l/min)
- 3rd Control circuit electric proportional serial
- 4th Additional control circuit electrically proportional parallel
- Additional hydraulic oil cooler

Hydraulics in rear

- Pressureless return in rear
- One hydraulic connection rear double-acting via changeover valve (operation: Via switch (0 - 1) in joystick console + 3rd control circuit)
- One rear hydraulic connection (51 l/min) double-acting (two couplings) incl. separate control valve (Operation: Via switch (1 - 0 - 2) in joystick console)
- Two rear hydraulic connections (51 l/min) double-acting (four couplings) incl. separate control valve (operation: 1 DW connection via switch (1 - 0 - 2), 1 DW connection via pushbutton (1 - 0 - 2)), (connections can be operated simultaneously)

Bio-hydraulic oil

- Panolin HLP Synt46 (Biohydraulic oil)

Electrical connections in front

- Front socket 7-pin for lighting front attachments
- Front socket 3-pin for double function (operation: Via 2 buttons on the joystick; 1st Function push-button, 2nd Function latching)
- Front socket 3-pin for double function (operation: Via 2 buttons on the joystick; 1st Function latching, 2nd Function push-button)
- Front socket 3-pin for double function (operation: Via 2 buttons on the joystick; 1st Function push-button, 2nd Function push-button)
- Front socket 3-pin for double function (operation: Via 2 buttons on the joystick; 1st Function latching, 2nd Function latching)

Electrical connections in rear

- Rear 7-pin socket for lighting rear attachments
- Rear 3-pin socket (operation: Via switch (1 - 0 - 2) in joystick console)

Additional weight

- Ballast weight base plate (122 kg)

Safety options

- Reversing warning device (acoustic)
- Lowering brake valve (pipe breakage protection lifting and tipping cylinder)
- Immobilizer (operation via coded ignition key)

Other

- Battery disconnect switch 2 circuits
- (disconnection of the on-board power supply and the generator from the battery via 2 switching paths)
- Hand lever grease gun
- Combi case (warning triangle / first aid kit)
- Tool kit
- Central lubrication system fully automatic

Warranty extension

- Economy 24 months (2500 h)
- Economy 36 months (3000 h)
- Economy 48 months (3500 h)
- Economy 60 months (4000 h)
- Economy 24 months (3000 h)
- Economy 36 months (4000 h)
- Economy 48 months (5000 h)
- Economy 60 months (6000 h)

Custom-made paint finish

- Special painting RAL single color - instead of Weidemann red
- Special painting RAL multicolored

Trailer and recovery equipment

- Trailer hitch automatic

Self-propelled work machines with ball hitch

- Trailer hitch automatic